



TOP MOUNT MEDIA FILTERS

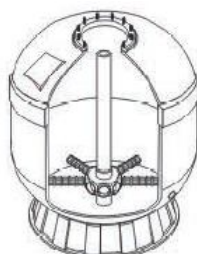
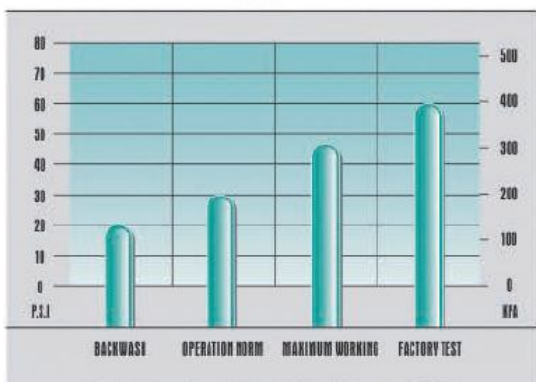
The Epic Top Mount filter is the very latest in pool filter technology, moulded of durable corrosion proof materials with an attractive Gel-coat finish. The Epic laminated top mount filter is made with unitized tank construction for years of trouble free operation. The Epic Laminated Top Mount filter is the new standard for performance, value and dependability.

Features & Advantages

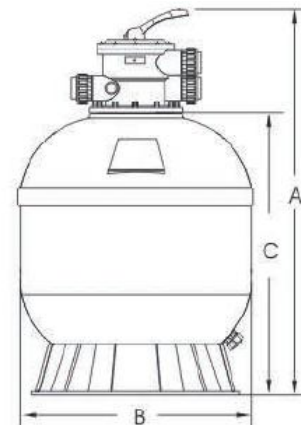
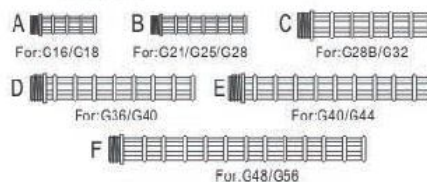
- 100% tested according to NSF50 standards.
- Maximum working pressure of 300KPA.
- UV resistant Gel coat surface.



PRESSURE RATING



A	Φ=30mm	L=80mm
B	Φ=30mm	L=115mm
C	Φ=45mm	L=138mm
D	Φ=45mm	L=185mm
E	Φ=45mm	L=230mm
F	Φ=45mm	L=278mm



Model	Diameter (mm)	Height (mm)	Flowrate (lpm)	Filter Area (sq.M)	Media Required (kg)	Port Size (mm)
EP 400	400	680	95	0.13	50	40
EP 550	550	780	150	0.25	80	40
EP 650	650	950	250	0.30	150	40
EP 750	750	1060	350	0.40	200	40
EP 800	800	1100	400	0.47	270	50
EP 900	900	1260	500	0.65	370	50
EP 1000	1000	1380	600	0.80	500	50
EP 1200	1200	1570	800	1.20	700	50
EP 1400	1400	1580	1200	1.50	750	80
EP 1600	1600	1800	1500	2.00	1700	100
EP 1800	1800	2030	1800	2.50	2200	100
EP 2000	2000	2260	2000	3.00	3400	100